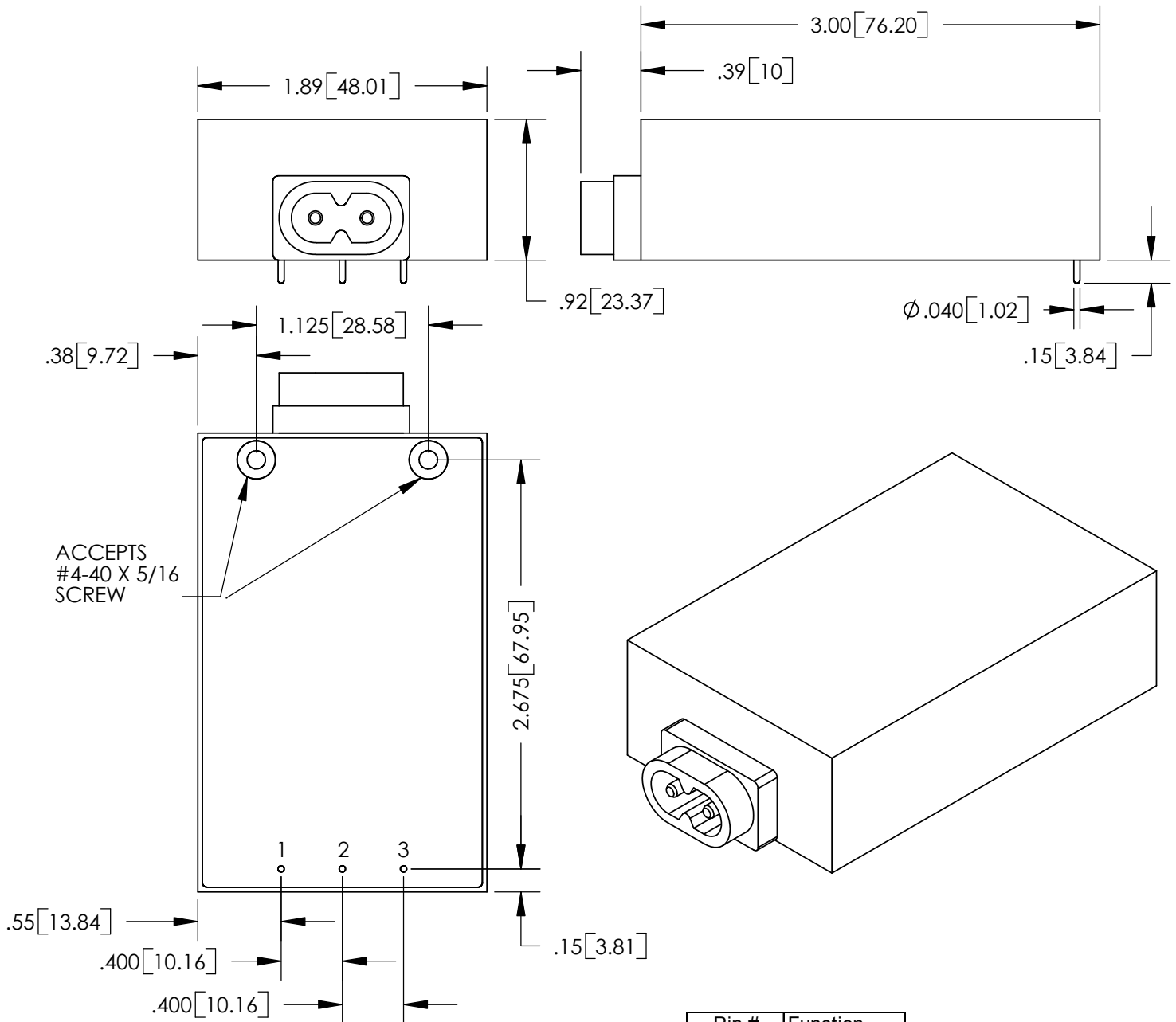




BEAR
POWER SUPPLIES

MECHANICAL CONFIGURATION

2 PIN AC INPUT
15 WATT SINGLE OUTPUT



Dimensions are in inches [mm]

Tolerances: .XX +/- .02 [.50]
.XXX +/- .010 [.250]

Case Material: Diallyl Phtalate

Construction: Epoxy Encapsulated

Pin #	Function
1	Enable
2	-Vout
3	+Vout