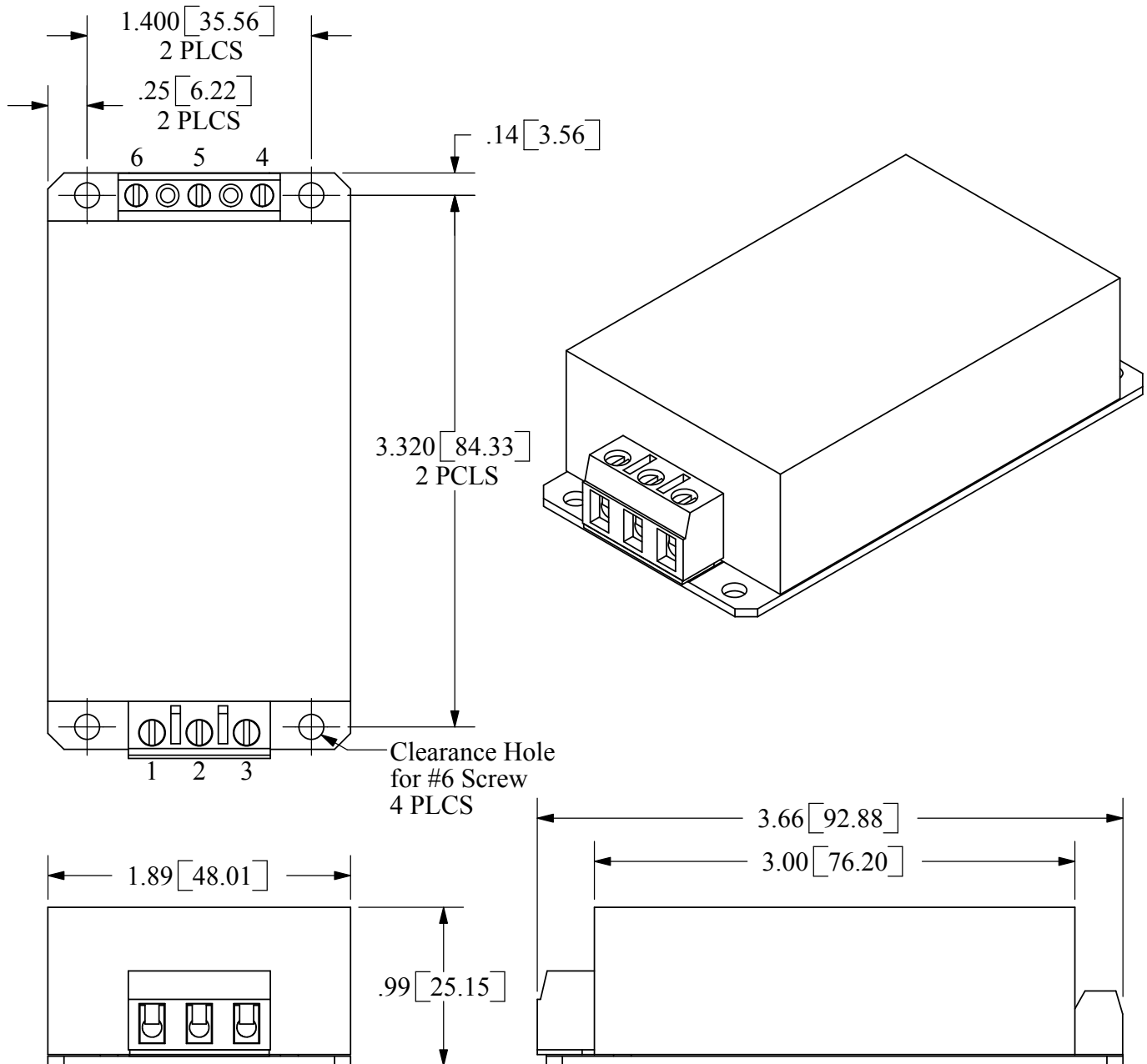




BEAR
POWER SUPPLIES

MECHANICAL CONFIGURATION

CHASSIS MOUNT - 15 WATT SINGLE OUTPUT
TERMINAL BLOCK INPUT & OUTPUT



Dimensions are in inches [mm]

Tolerances: .XX +/- .02 [.50]
.XXX +/- .010 [.250]

Case Material: Diallyl Phtalate

Construction: Epoxy Encapsulated

Web: www.bearpwr.com

Pin #	Function
1	AC - Line
2	AC - Ground
3	AC - Neutral
4	+Vout
5	-Vout
6	Enable

Ph: 800-551-BEAR

Fax: 315-548-5100