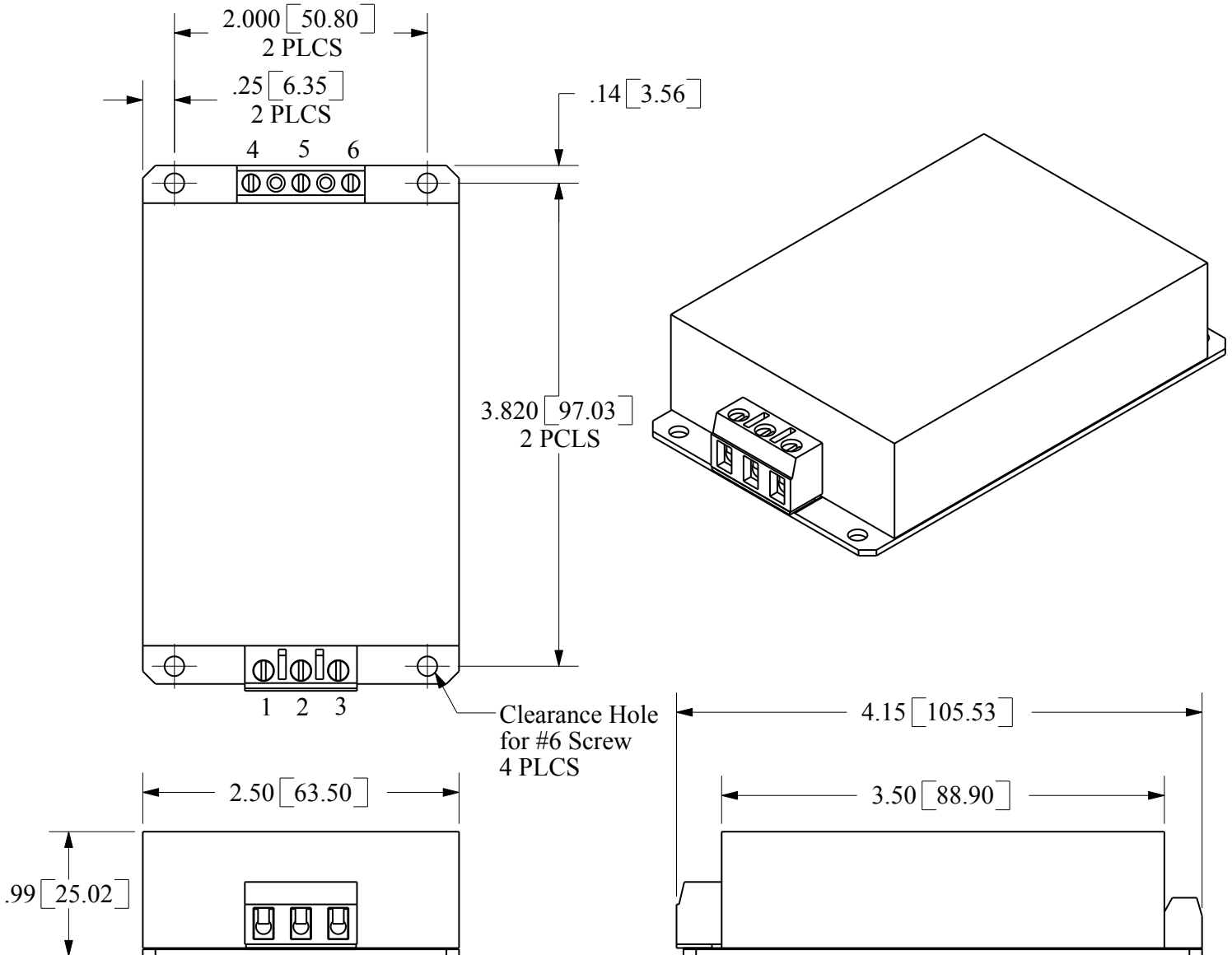




# MECHANICAL CONFIGURATION

## CHASSIS MOUNT - 30 WATT SINGLE OUTPUT TERMINAL BLOCK INPUT & OUTPUT



Dimensions are in inches [mm]

Tolerances: .XX +/- .02 [.50]  
.XXX +/- .010 [.250]

Case Material: Diallyl Phtalate

Construction: Epoxy Encapsulated

Web: [www.bearpwr.com](http://www.bearpwr.com)

Pin #	Function
1	AC - Line
2	AC - Ground
3	AC - Neutral
4	+Vout
5	-Vout
6	Enable

Ph: 800-551-BEAR

Fax: 315-548-5100