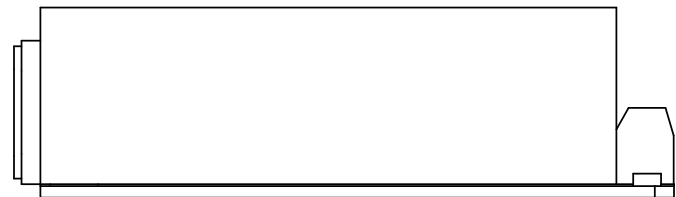
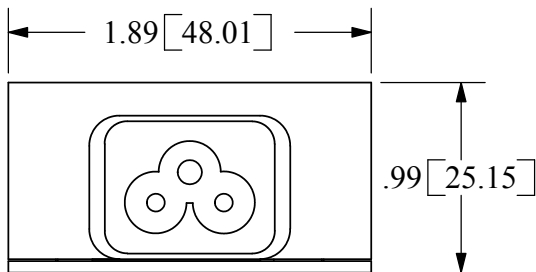
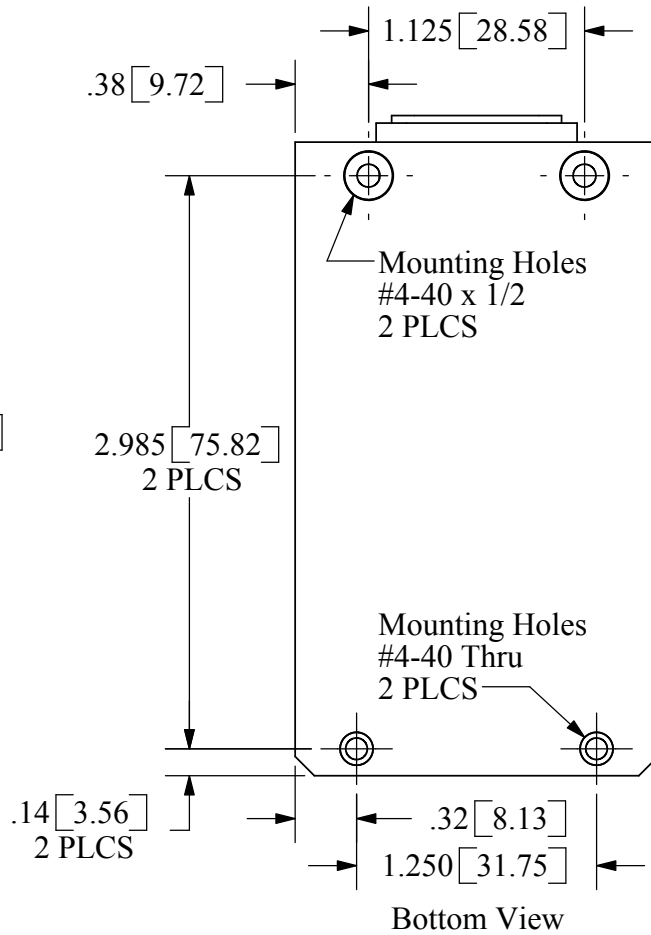
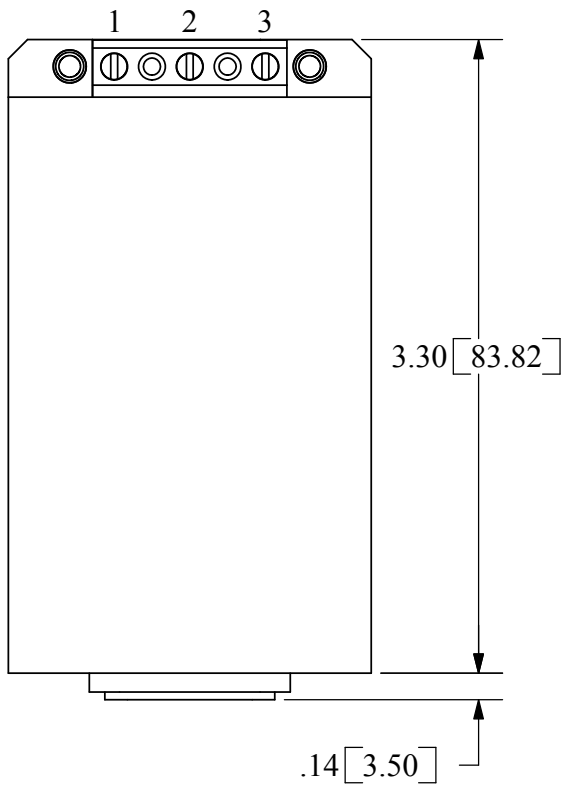




# MECHANICAL CONFIGURATION

CHASSIS MOUNT -15 WATT SINGLE OUTPUT  
3 PIN AC INPUT - TERMINAL BLOCK OUTPUT



Dimensions are in inches [mm]

Tolerances: .XX +/- .02 [.50]  
.XXX +/- .010 [.250]

Case Material: Diallyl Phtalate

Construction: Epoxy Encapsulated

Web: [www.bearpwr.com](http://www.bearpwr.com)

Pin #	Function
1	Enable
2	-Vout
3	+Vout

Ph: 800-551-BEAR

Fax: 315-548-5100