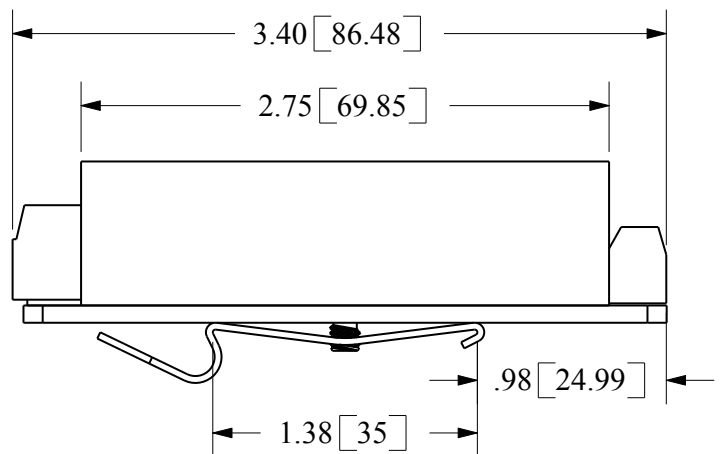
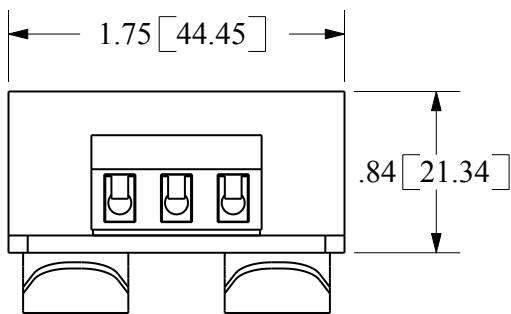
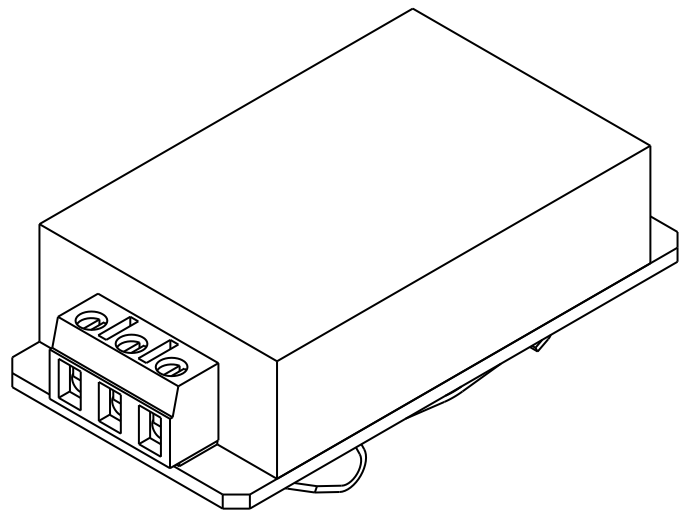
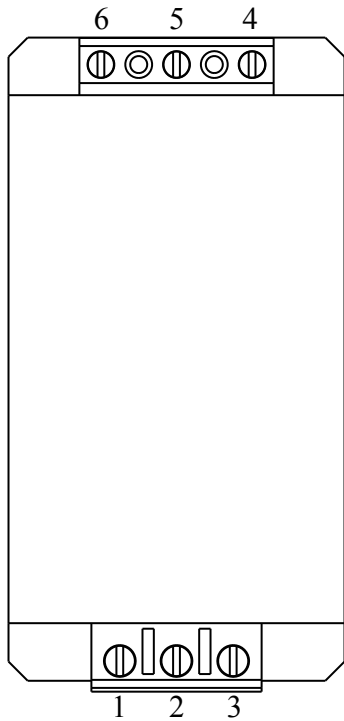




MECHANICAL CONFIGURATION

DIN RAIL MOUNT -10 WATT SINGLE OUTPUT
 TERMINAL BLOCK INPUT & OUTPUT



Dimensions are in inches [mm]

Tolerances: .XX +/- .02 [.50]
 .XXX +/- .010 [.250]

Case Material: Diallyl Phtalate

Construction: Epoxy Encapsulated

Web: www.bearpwr.com

| Pin # | Function |
|-------|--------------|
| 1 | AC - Line |
| 2 | AC - Ground |
| 3 | AC - Neutral |
| 4 | +Vout |
| 5 | -Vout |
| 6 | Enable |

Ph: 800-551-BEAR

Fax: 315-548-5100